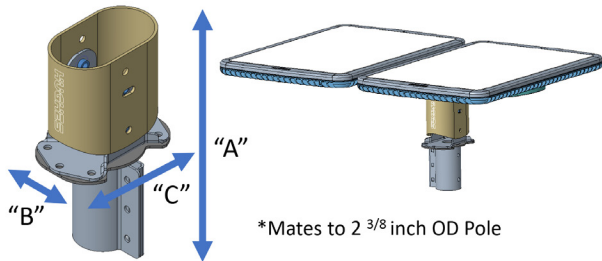
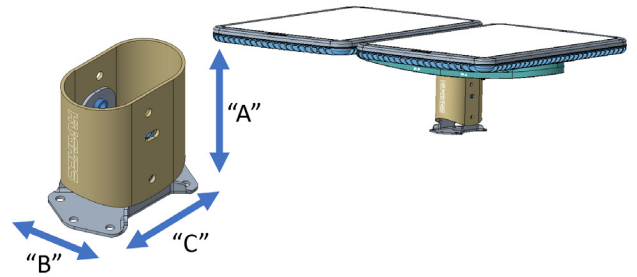


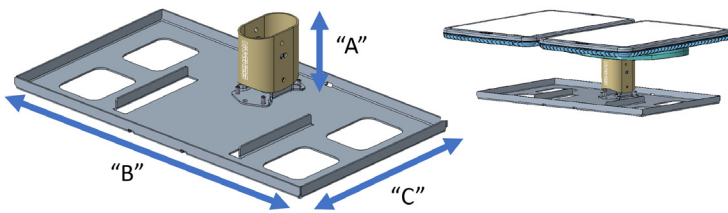
# HL1120W Mount Options



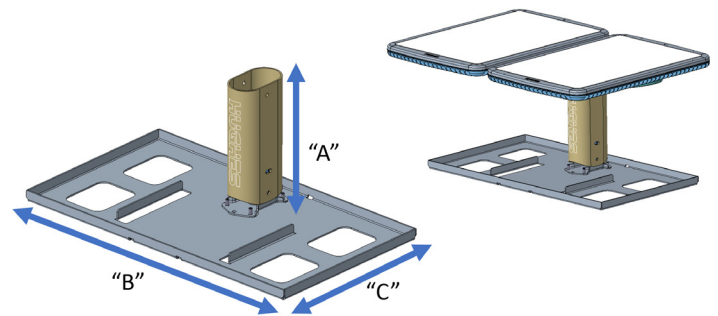
(1) Mast Adapter Mount



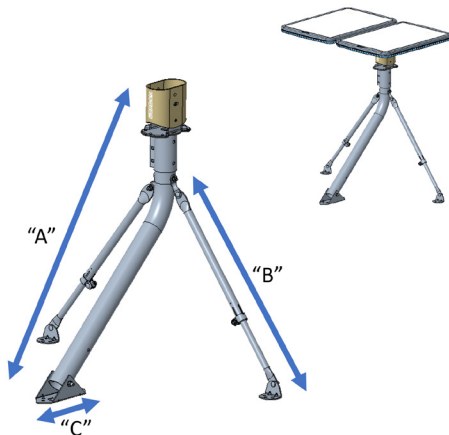
(2) Penetrating Mount



(3) Non-Penetrating Mount with Short Stanchion



(4) Non-Penetrating Mount with Long Stanchion



(5) Mast Adapter with Tripod

|   | Mount Kit                                  | Part Number  | Mount Dimensions (inches) |       |       | Mount Weight (lbs) |
|---|--|--------------|---------------------------|-------|-------|--------------------|
|   |  |              | A                         | B     | C     |                    |
| 1 | Mast Adapter Mount                         | 1508555-0001 | 10.00                     | 3.87  | 5.85  | 3.45               |
| 2 | Penetrating Mount                          | 1508559-0001 | 5.38                      | 3.59  | 5.85  | 1.76               |
| 3 | Non-Penetrating Mount with Short Stanchion | 1508557-0001 | 5.50                      | 28.83 | 16.25 | 13.27              |
| 4 | Non-Penetrating Mount with Long Stanchion  | 1508556-0001 | 11.41                     | 28.83 | 16.25 | 14.23              |
| 5 | Mast Adapter with Trimast                  | 1508654-0001 | 29.94                     | 23-33 | 7.91  | 14.70              |