

## Hughes Flyaway Solution

The Hughes Flyaway solution offers a ruggedized, manual-point satellite terminal that can be rapidly deployed for reliable voice and data communications. This terminal is built with the industry-leading JUPITER™ technology and is optimized to operate with the reliable satellite service from Hughes, which delivers 25 Mbps download and 3 Mbps upload speeds.

The Hughes Flyaway terminal can be easily assembled by an individual with minimal training and is designed to operate in even the harshest environments. The solution offers highly reliable communications capabilities throughout the Continental United States (CONUS) with additional coverage areas spanning key areas of Mexico, Canada, the Caribbean, as well as parts of South America. With secure, high-speed internet connection via satellite, the Hughes Flyaway solution is ideal for applications, such as disaster response, border security, and oil and gas exploration.

The Baseline Hughes Flyaway Terminal includes:

- One 98 cm Ka-band flyaway antenna
- One Hughes HA210 radio
- One HT2000W with built-in Wi-Fi
- Two ruggedized carrying cases
- One handheld GPS receiver
- One toolkit for terminal assembly

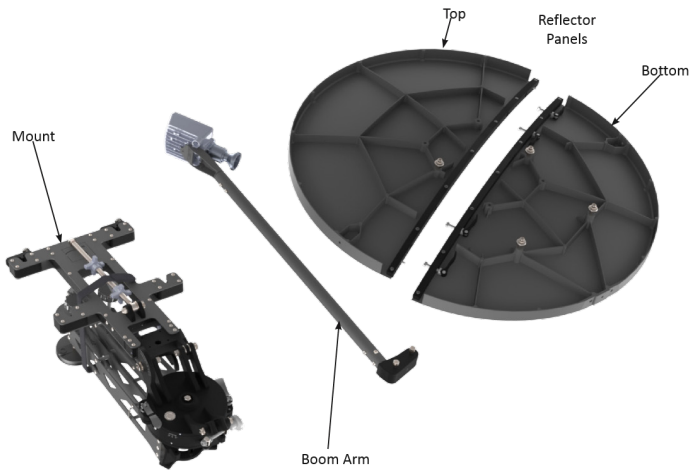
(Additional solar power option available upon request)

### Technical Specifications

#### HT2000W Modem Specs

Weight:	1.6 lb (0.73 kg)
Height:	8.0 inches (20.3 cm)
Width:	1.6 inches (4.1 cm); 2.4 inches (6.1 cm) at base
Depth:	9.0 inches (22.9 cm)
Operating temperature range:	41° F to 104° F (5° C to 40° C) Above 5,000 ft (1,524 m) altitude, the maximum temperature is reduced by 1° C per 1,000 ft (305 m)
Operating humidity range:	5% to 90% non-condensing
Altitude:	Up to 15,000 ft (4,572 m)
Cooling method:	Convection
Protocol support:	Transmission Control Protocol/Internet Protocol (TCP/IP) protocol suite
Supported frequency ranges:	Ka-band
Network interface ports:	RJ-45 Ethernet LAN port supporting 10BaseT, 100BaseT, or 1000BaseT operation
Wi-Fi	802.11ac 2.4G and 5G





### Technical Specifications

#### HT2000W Modem Specs

#### Flyaway Antenna Specs

#### RF Performance

Effective Aperture:	38 in (98 cm)
Operating Frequency:	Tx: 28.00–30.00 GHz Rx: 18.10–20.20 GHz
Gain ( ± 0.2 dB):	Tx: 47.6 dBi @ 30.0 GHz Rx: 44.1 dBi @ 20.2 GHz
Antenna Noise	10° Elevation: 88K
Temperature:	20° Elevation: 62K 30° Elevation: 51K

98 com Radio EIRP: 48.2 dBW

#### Mechanical Performance

Reflector Material:	Two-piece lightweight composite
Wind Loading:	Operational (without ballast): 30 mph (48 km/h) With Ballast (with staking: 60 mph (96 km/h)
Temperature:	30° C to 60° C
Humidity:	0 to 100% (Condensing)
Rain:	Operational: 4"/hr (10 cm/hr) Survival: 6"/hr (15 cm/hr)
Weight Without Case:	Mechanism: 35 lbs Reflector: 19 lbs
Transit Case Reflector:	43.00" x 31.00" x 9.50"
Mount:	40.00" x 18.00" x 13.75"

For more information, visit [hughes.com/contact-us](https://hughes.com/contact-us) to schedule a discussion with a solutions consultant.